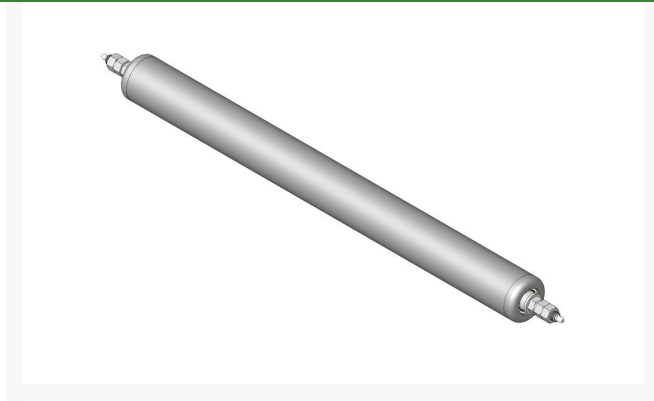




Roller - Smooth Tubular Steel

RA900910



Details

Constructed with a through shaft, this steel roller uses a through shaft and ball bearings.

Replaces

Ransomes A900910

Specifications

Manufacturer	R&R Products
Overhaul Kit No.	R170703
Roller Body Diameter	2.375 in
Weight (lbs)	9 lb

Fits Models

Ransomes 180

Replacement Parts

R170703	Overhaul Kit - Roller
R170702	Shaft - 2-3/8 Grooved Roller
R303558	Bearing - Roller
R170707	Spacer - 2 3/8 Roller
R170708	Seal - 2-3/8 Roller
R170716	Locknut - 1/2-13 Flanged
R443818	Nut - 1/2-13 Hex Jam Zinc
R302-5	Fitting - Grease

Pekerti Jaya Sdn. Bad

45 Jalan Industri USJ 1/5, Taman Perindustrian USJ 1 Subang Jay, 47600
603-80216684

<https://pekertijaya.rrproducts.com/>