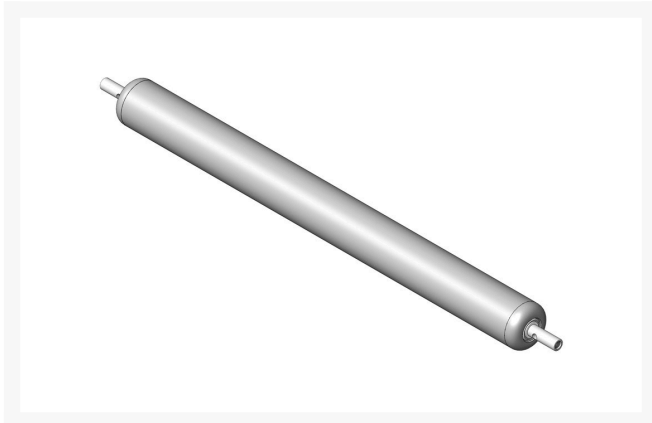




Roller - Smooth Tubular Steel

R95-0930



Details

This tubular steel roller uses greasable "water-pump" style bearings.

Replaces

Toro	95-0930
------	---------

Specifications

Manufacturer	R&R Products
Overhaul Kit No.	R107-1588
Roller Body Diameter	2.5 in
Weight (lbs)	9 lb

Fits Models

- Toro Greensmaster 1600
- Toro Greensmaster 1610
- Toro Greensmaster 2600

Replacement Parts

R107-1588	Overhaul Kit - Roller
R52-3180	Bearing - Front Roller
R302-5	Fitting - Grease

Pekerti Jaya Sdn. Bad

45 Jalan Industri USJ 1/5, Taman Perindustrian USJ 1 Subang Jay, 47600
603-80216684

<https://pekertijaya.rrproducts.com/>