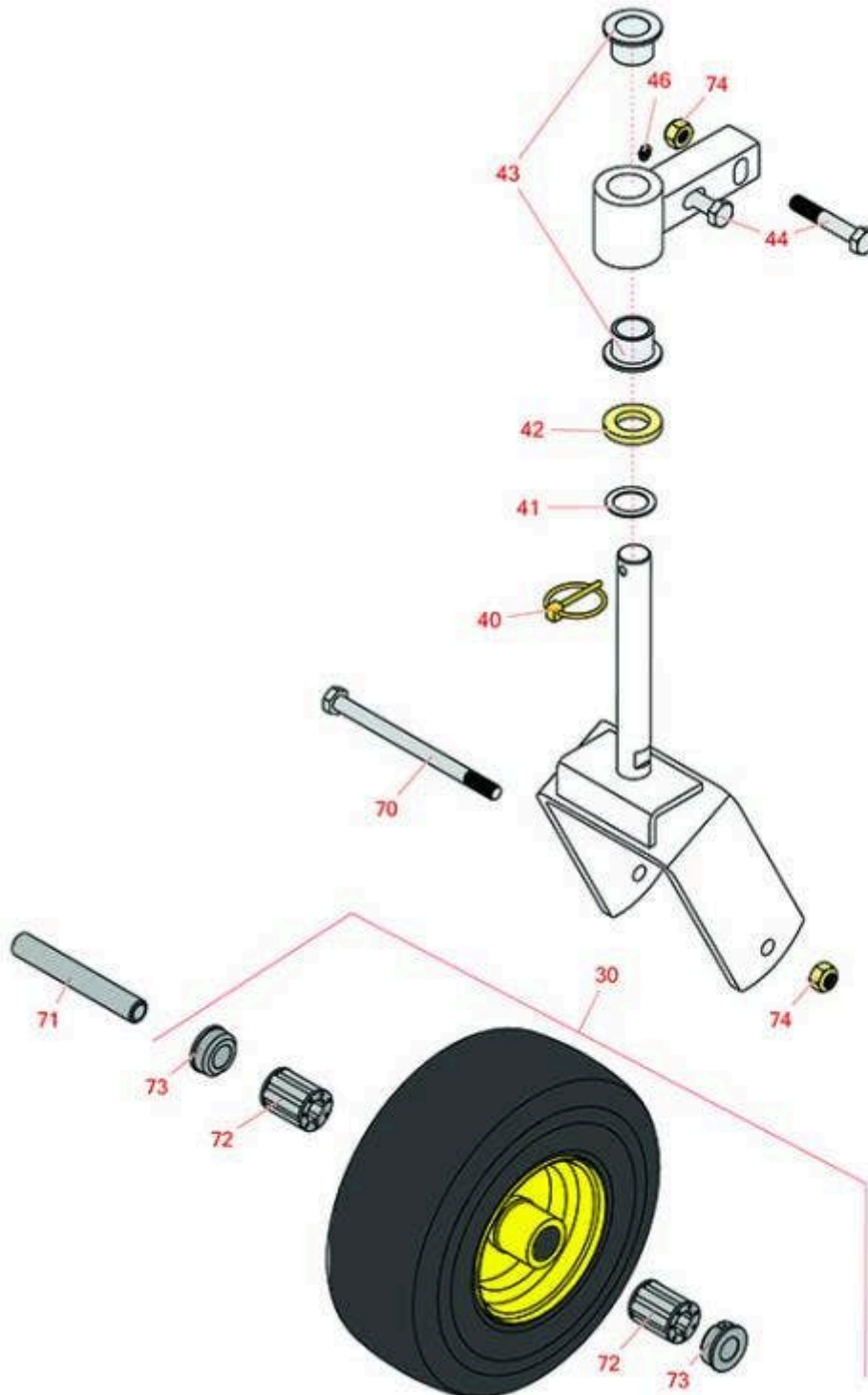
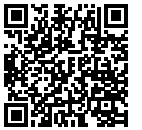




Replaces John Deere 1585 Rotary Mower Parts

Traction Unit
Caster Wheel



All original equipment manufacturers names and part numbers are used for identification purposes only, and we are in no way implying that our products are original equipment parts. Prices subject to change without notice.



Replaces John Deere 1585 Rotary Mower Parts

Traction Unit
Caster Wheel



Item No	R&R Part No.	OEM Part No.	Description	Qty Req	Order Quantity
---------	--------------	--------------	-------------	---------	----------------

Tires & Wheels

30	RTCA20363	TCA20363	Wheel and Tire Assy - Foam Filled 11x4.00-5 Sm	2	
----	------------------	----------	--	---	--

Other Parts Available

40	RM115827	M115827	Pin - Quick Lock	2	
41	R24H1862	24H1862	Washer - 1-1/32" x 1-1/2" x 0.060"	2	
42	RT30636	T30636	Washer	2	
43	RM83541	M83541	Bushing - Flanged - 1 in ID	4	
44	R19M7817	19M7817	Bolt - M12-1.75 x 70 Hx HD Fl	4	
46	R302-5	JD7797, JD7842, JD7844	Fitting - Grease	2	
70	R19M7841	19M7841	Bolt - Hex HD M12 x 170	2	
71	RM84516	M84516	Spacer - Caster Wheel	2	
72	R63-8580	TCU12034	Bearing - Roller - 1" Long	4	
73	R62-5580	TCU12600	Bearing - Flanged - Caster	4	
74	R14M7401	14M7401	Locknut - 12mm x 1.75	6	

All original equipment manufacturers names and part numbers are used for identification purposes only, and we are in no way implying that our products are original equipment parts. Prices subject to change without notice.