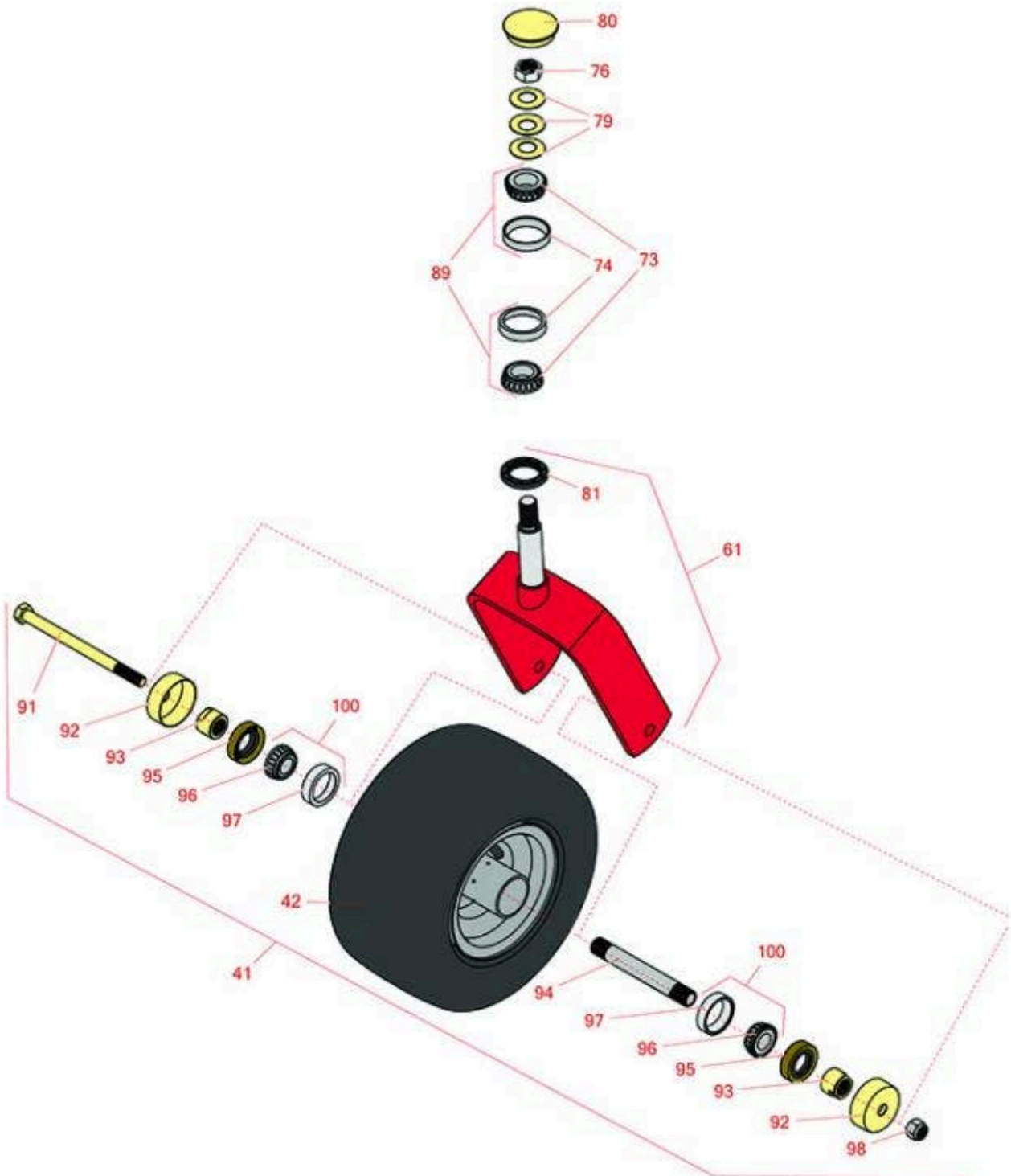




Replaces Exmark Lazer Z HP-Series

Parts

Zero-Turn Mower - Model LHP5223KC
Caster Wheel



All original equipment manufacturers names and part numbers are used for identification purposes only, and we are in no way implying that our products are original equipment parts. Prices subject to change without notice.



Replaces Exmark Lazer Z HP-Series Parts

Zero-Turn Mower - Model LHP5223KC
Caster Wheel



Item No	R&R Part No.	OEM Part No.	Description	Qty Req	Order Quantity
Tires					
41	R103-5189	103-3785, 103-5189	Tire & Wheel Assy - 13x5.00-6 Smooth Pneumatic 4 Ply	2	
42	RCT5120211	1-633002	Tire - 13x5.00-6 Nhs (4 Ply) Carlisle Smooth	2	
Other parts					
61	R116-8883	1-632511-01	Caster Fork Assy Incl Seal 6.25 in Inside	2	
73	R254-94	1-543509	Tapered Bearing Cone	4	
74	R254-72	1-543508	Cup - Bearing	4	
76	R3296-51	3296-51	Nut - Nylon Lock 3/4-10 Gr 8	2	
79	R1-633508	1-633508	Washer - Spring Disc	6	
80	R103-4882	103-4882	Grease Cap - Castor	2	
81	R1-543511	1-543511, R & R ONLY	Seal- Grease	2	
89	R500596	R & R ONLY	Tapered Bearing Set - Cup and Cone	4	
91	R325-37	325-36, 325-37	Bolt - Hex Head 1/2-13 x 7 Grade 5	2	
92	R103-2768	103-2768	Guard - Seal	4	
93	R103-3051	103-3051	Spacer - Nut - Hardened	4	
94	R103-3155	103-3155	Axle - Caster	2	
95	R103-0063	103-0063	Seal - Grease	4	
96	R254-78	1-633585	Tapered Bearing Cone	4	
97	R254-79	1-633584, R & R ONLY	Cup - Bearing	4	

Tech Note: Use R254-79M installation mandrel to properly install race.:

All original equipment manufacturers names and part numbers are used for identification purposes only, and we are in no way implying that our products are original equipment parts. Prices subject to change without notice.



Replaces Exmark Lazer Z HP-Series Parts

*Zero-Turn Mower - Model LHP5223KC
Caster Wheel*



Item No	R&R Part No.	OEM Part No.	Description	Qty Req	Order Quantity
98	R3296-25	3296-45	Locknut - 1/2-13 Heavy ESNA	2	
100	R500534	1-633585, R & R ONLY	Bearing - with Cup	4	

All original equipment manufacturers names and part numbers are used for identification purposes only, and we are in no way implying that our products are original equipment parts. Prices subject to change without notice.