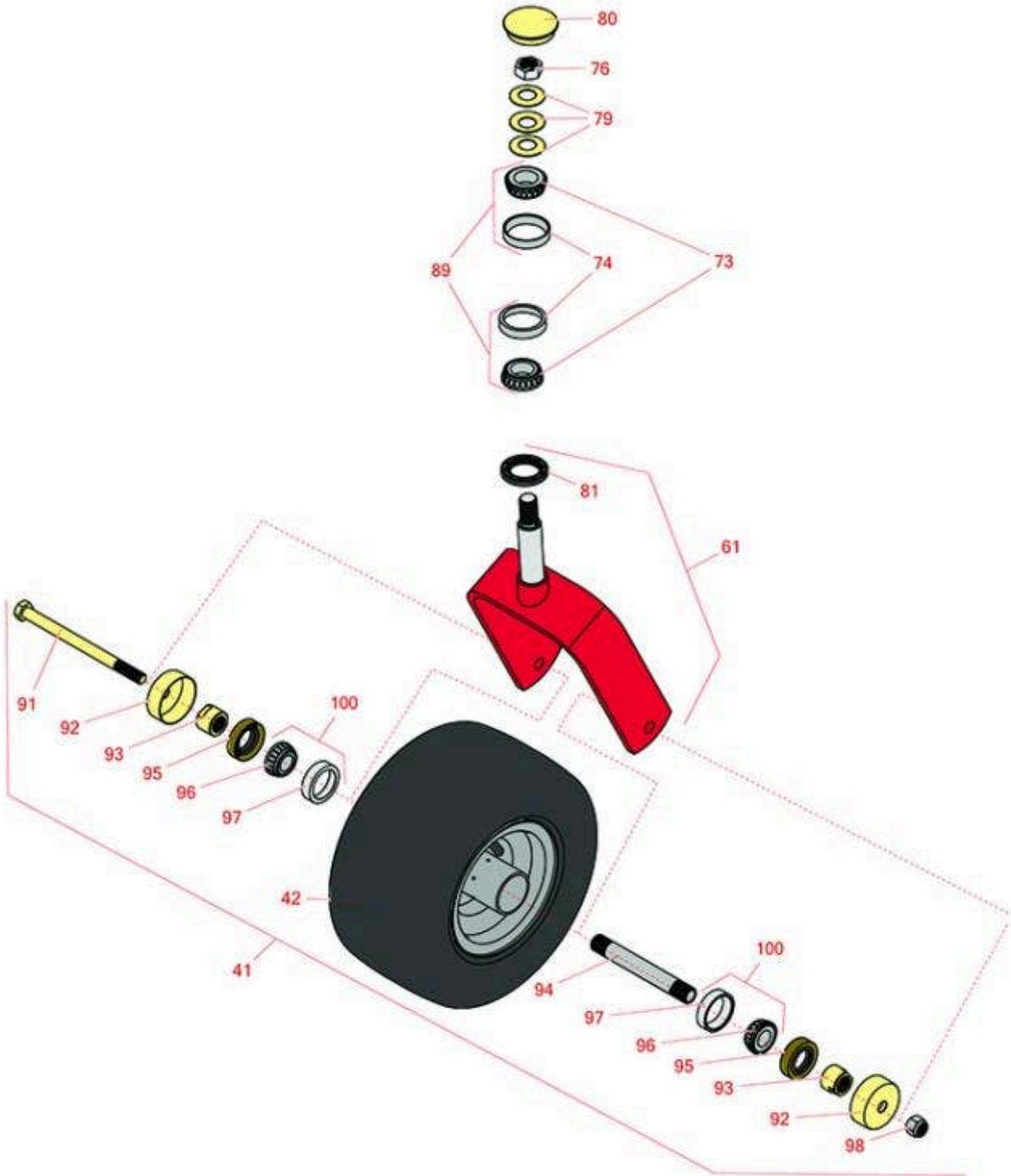




# Replaces Exmark Lazer Z HP-Series Parts

Zero-Turn Mower with 50 in Deck - Models LHP23KA505,  
LHP27KC505, LHP27KC505R  
Caster Wheel



All original equipment manufacturers names and part numbers are used for identification purposes only, and we are in no way implying that our products are original equipment parts. Prices subject to change without notice.



# Replaces Exmark Lazer Z HP-Series Parts

Zero-Turn Mower with 50 in Deck - Models LHP23KA505,  
LHP27KC505, LHP27KC505R  
Caster Wheel



Item No	R&R Part No.	OEM Part No.	Description	Qty Req	Order Quantity
<b>Tires</b>					
41	<b>R103-5189</b>	103-3785, 103-5189	Tire & Wheel Assy - 13x5.00-6 Smooth Pneumatic 4 Ply	2	
42	<b>RCT5120211</b>	1-633002	Tire - 13x5.00-6 Nhs (4 Ply) Carlisle Smooth	2	
<b>Other parts</b>					
61	<b>R116-8883</b>	1-632511-01	Caster Fork Assy Incl Seal 6.25 in Inside	2	
73	<b>R254-94</b>	1-543509	Tapered Bearing Cone	4	
74	<b>R254-72</b>	1-543508	Cup - Bearing	4	
76	<b>R3296-51</b>	3296-51	Nut - Nylon Lock 3/4-10 Gr 8	2	
79	<b>R1-633508</b>	1-633508	Washer - Spring Disc	6	
80	<b>R103-4882</b>	103-4882	Grease Cap - Castor	2	
81	<b>R1-543511</b>	1-543511, R & R ONLY	Seal- Grease	2	
89	<b>R500596</b>	R & R ONLY	Tapered Bearing Set - Cup and Cone	4	
91	<b>R325-37</b>	325-36, 325-37	Bolt - Hex Head 1/2-13 x 7 Grade 5	2	
92	<b>R103-2768</b>	103-2768	Guard - Seal	4	
93	<b>R103-3051</b>	103-3051	Spacer - Nut - Hardened	4	
94	<b>R103-3155</b>	103-3155	Axle - Caster	2	
95	<b>R103-0063</b>	103-0063	Seal - Grease	4	
96	<b>R254-78</b>	1-633585	Tapered Bearing Cone	4	
97	<b>R254-79</b>	1-633584, R & R ONLY	Cup - Bearing	4	

All original equipment manufacturers names and part numbers are used for identification purposes only, and we are in no way implying that our products are original equipment parts. Prices subject to change without notice.



# Replaces Exmark Lazer Z HP-Series Parts



Zero-Turn Mower with 50 in Deck - Models LHP23KA505,  
LHP27KC505, LHP27KC505R  
Caster Wheel

Item No	R&R Part No.	OEM Part No.	Description	Qty Req	Order Quantity
<i>Tech Note: Use R254-79M installation mandrel to properly install race.:</i>					
98	<b>R3296-25</b>	3296-45	Locknut - 1/2-13 Heavy ESNA	2	
100	<b>R500534</b>	1-633585, R & R ONLY	Bearing - with Cup	4	

All original equipment manufacturers names and part numbers are used for identification purposes only, and we are in no way implying that our products are original equipment parts. Prices subject to change without notice.