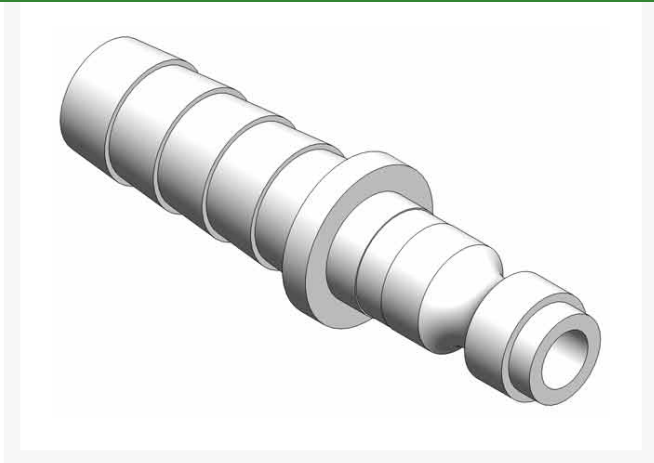




# Plug - Coupler 3/8 Hose Barb

R5572



## Details

Plated steel couplers with hardened steel balls & stainless steel springs or brass fittings that offer corrosion resistance, ductility at high temperatures, and low magnetic permeability. Maximum working pressure 300 PSI.

## Specifications

Manufacturer

R&R Products

## Pekerti Jaya Sdn. Bad

45 Jalan Industri USJ 1/5, Taman Perindustrian USJ 1 Subang Jay, 47600  
603-80216684

<https://pekertijaya.rrproducts.com/>