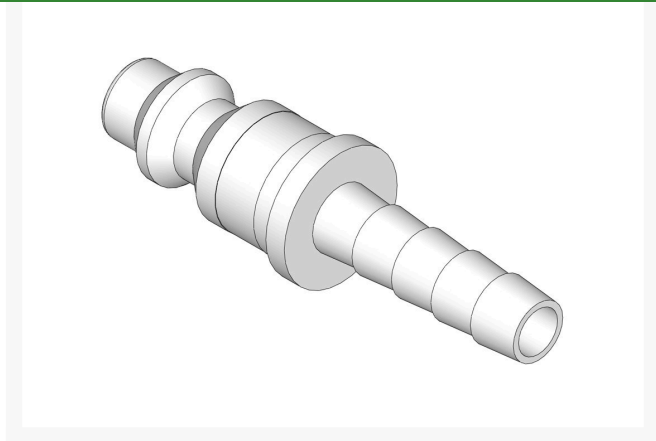




Plug - Coupler 1/4 Hose Barb

R5570



Details

Plated steel couplers with hardened steel balls & stainless steel springs or brass fittings that offer corrosion resistance, ductility at high temperatures, and low magnetic permeability. Maximum working pressure 300 PSI.

Specifications

Manufacturer

R&R Products

Pekerti Jaya Sdn. Bad

45 Jalan Industri USJ 1/5, Taman Perindustrian USJ 1 Subang Jay, 47600
603-80216684

<https://pekertijaya.rrproducts.com/>