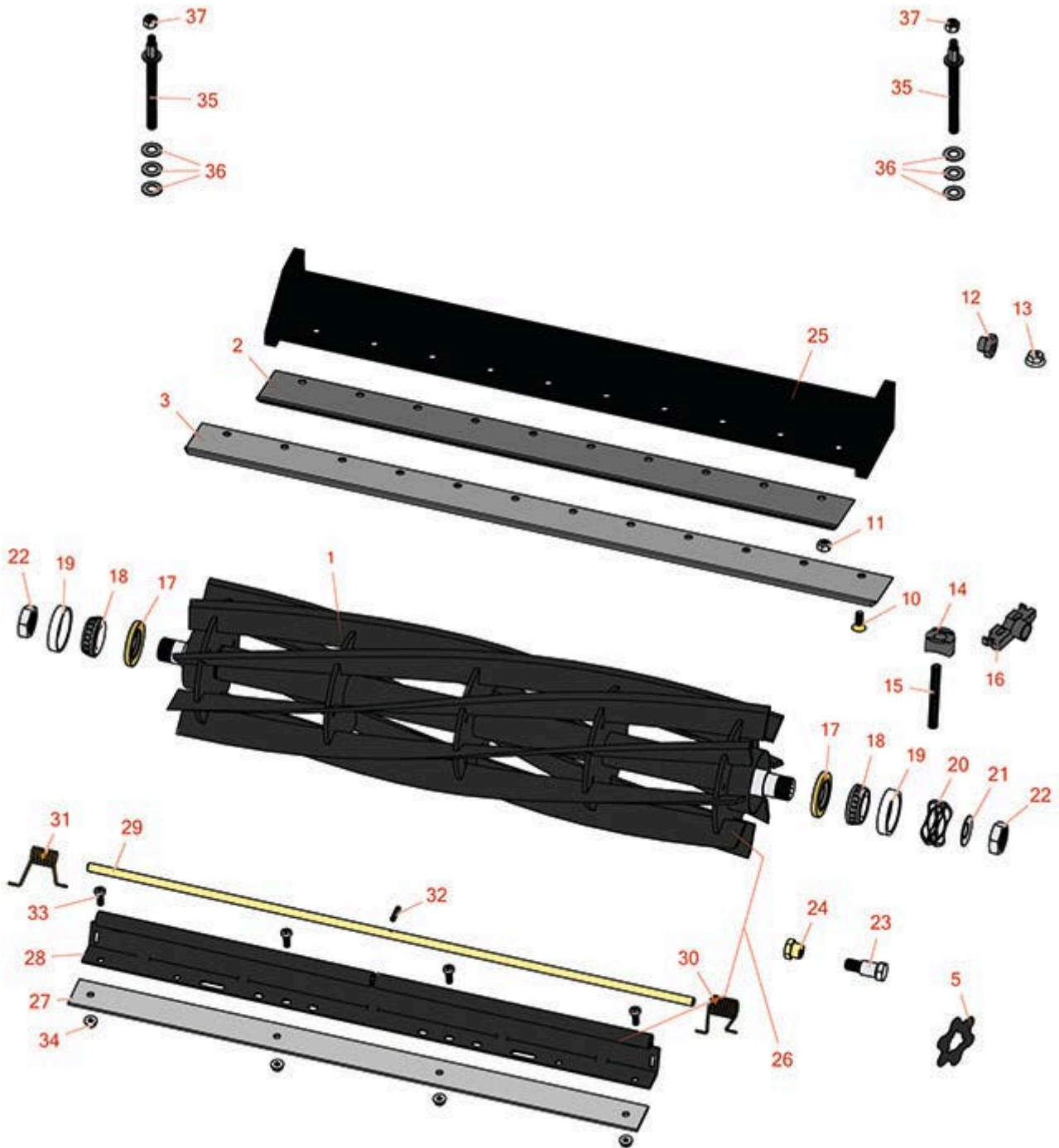




Replaces John Deere 8900A Reel Mower

Parts

Cutting Unit
Reel & Bedknife



All original equipment manufacturers names and part numbers are used for identification purposes only, and we are in no way implying that our products are original equipment parts. Prices subject to change without notice.



Replaces John Deere 8900A Reel Mower

Parts

Cutting Unit
Reel & Bedknife



Item No	R&R Part No.	OEM Part No.	Description	Qty Req	Order Quantity
R&R Reels, Lifetime Guranteed					
1	RTCA19355	TCA19355	Reel - 5 Blade 26 in	1	
1	RTCA19356	TCA19356	Reel - 8 Blade 26 in	1	
1	RTCA19357	TCA19357	Reel - 5 Blade 30 in	1	
1	RTCA19358	TCA19358	Reel - 8 Blade 30 in	1	
R&R Bedknives, Lifetime Guranteed					
2	RET17752	ET17752	Bedknife - 26 in 10 Hole	1	
2	RMT2396	MT2396, MT6949	Bedknife - 26 in Low Cut 10 Hole	1	
3	RMT1973	MT1973	Bedknife - 30 in 12 Hole	1	
Blades					
5	RMT2624	MT2624	Knife - Greens Conditioner	46	
Other Parts Available					
10	R19M7573	19M7573	Screw - Bedknife M8-1.25 x 20	12	
11	RH137328	H137328	Locknut	12	
12	RTC28635	TCU24555, TCU28635	Eccentric	2	
13	RH135891	H135891	Locknut - 10mm x 1.5 Flanged 10.9	6	
Tech Note: High Strength:					
14	RTC25394	TCU25394, TCU27453	Base	2	
15	RTC25398	TCU25398	Compression Spring	1	
16	RTC28987	TCU28987	Half Clamp - Roller Bkt	2	

All original equipment manufacturers names and part numbers are used for identification purposes only, and we are in no way implying that our products are original equipment parts. Prices subject to change without notice.



Replaces John Deere 8900A Reel Mower

Parts

Cutting Unit
Reel & Bedknife



Item No	R&R Part No.	OEM Part No.	Description	Qty Req	Order Quantity
17	RTC25266	TCU25266	Seal	2	
18	R254-94	JD8933, TCU37582	Tapered Bearing Cone	2	
19	R254-72	JD8253	Cup - Bearing	2	
20	R170610	TCU26530	Spring - Compression	1	
21	RET16678	ET16678	Washer - Spring	1	
22	RTC26215	TCU26215	Nut - Reel	2	
23	RMT6338	MT6338	Bolt - Shoulder	2	
24	RET16572	ET16572	Nut - Hex	2	
25	RAET11303	AET11303	Backing Bar - 26 Bedknife	1	
26	RMT2368	MT2368	Scraper - Assy 26 Solid Roller	1	
<i>Tech Note: Includes: RET17630, RET17629, RET17758, R34M7010 RMT2594 R14M7303 & R21M7246:</i>					
27	RMT2594	MT2594	Blade - 26 Scraper	1	
27	RMT2593	MT2593	Blade - 30 Scraper	1	
28	R500565	MT2368	Bar - Scraper 26	1	
29	RET17758	ET17758	Pin - 26 Scrapers	1	
30	RET17629	ET17629	Spring - Torsion LH	1	
31	RET17630	ET17630	Spring - Torsion RH	1	
32	R34M7010	34M7010	Pin - Spring	1	
33	R21M7246	21M7246	Screw	4	
34	R14M7303	14M7303	Nut - 6mm x 1.0 Flanged	4	
35	RTC26123	TCU26123	Adjuster	2	

All original equipment manufacturers names and part numbers are used for identification purposes only, and we are in no way implying that our products are original equipment parts. Prices subject to change without notice.



Replaces John Deere 8900A Reel Mower

Parts

*Cutting Unit
Reel & Bedknife*



Item No	R&R Part No.	OEM Part No.	Description	Qty Req	Order Quantity
36	RET16679	ET16679	Washer - Spring	6	
37	RM148268	M148268	Lock Nut	2	

All original equipment manufacturers names and part numbers are used for identification purposes only, and we are in no way implying that our products are original equipment parts. Prices subject to change without notice.